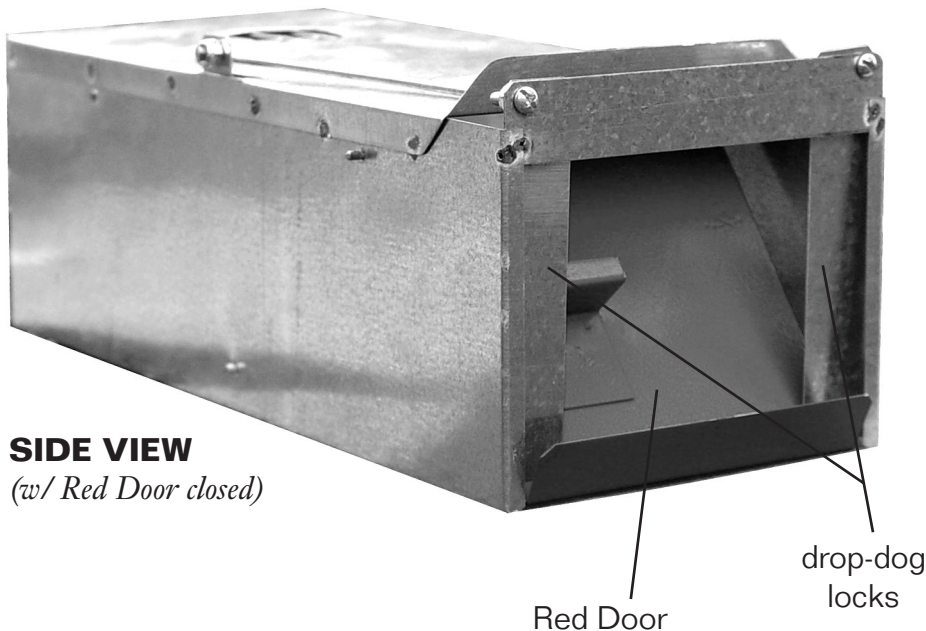
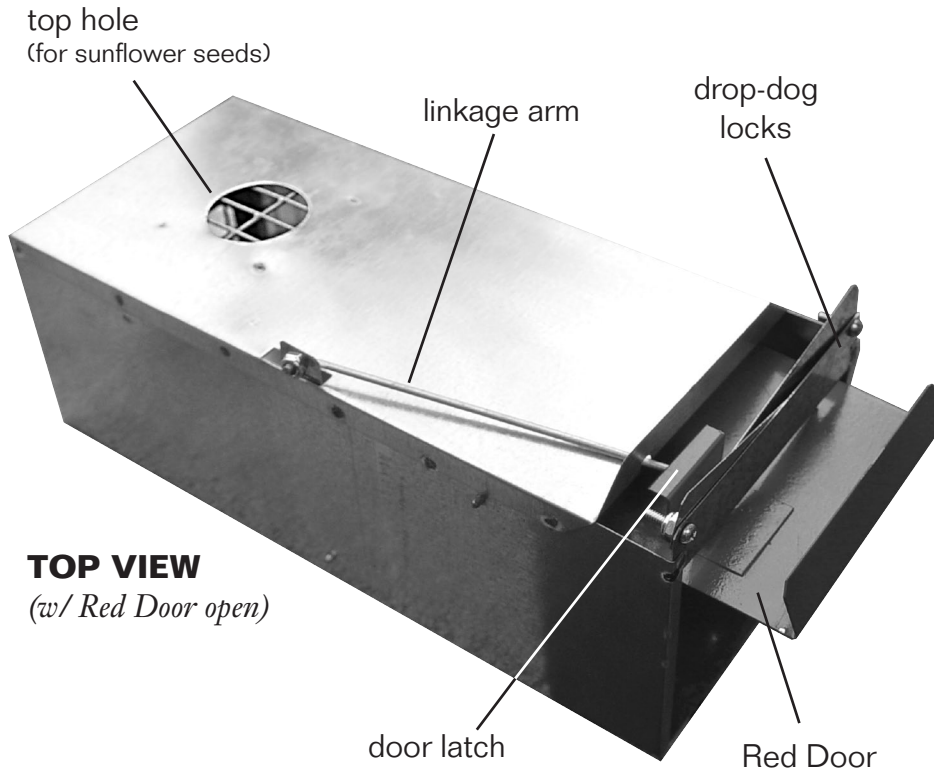


# INSTRUCTIONS: RED DOOR TRAP

Specially engineered & designed to catch tunneling rodents including chipmunks, rats, squirrels, flying squirrels, faster than the competition.



1. Wear Protective Gloves when handling Trap.
2. Keep Children AWAY from trap, Animals will bite!
3. To Set trap, raise two drop-dog locks on each side of Red Door that hold door shut.
4. Raise Red Door while pulling linkage arm, on top of trap, forward into latch on door.
5. Place trap where animal is seen and drop about 30 striped sunflower seeds into 1 1/2" hole on top.
6. Drop several sunflower seeds through top hole & a pinch of sunflower seeds at entrance.
7. To Release Animal, wear protective gloves and do not touch or play with animal.
8. Turn trap upside down with top of trap on ground and release door drop-dog locking latches.
9. Door will open to allow animal to leave.
10. Wild animals do not make good pets as they remain wild forever, please release responsibly.



DWL Brand, Mfg.  
P.O. Box 174  
Galway, NY 12074-0174  
Phone: 518.882.9145  
Fax: 518.882.5212  
www.DWLBrand.com

## REMEMBER

**Do Not Play with Animals and  
Wear Gloves when Handling Trap!**