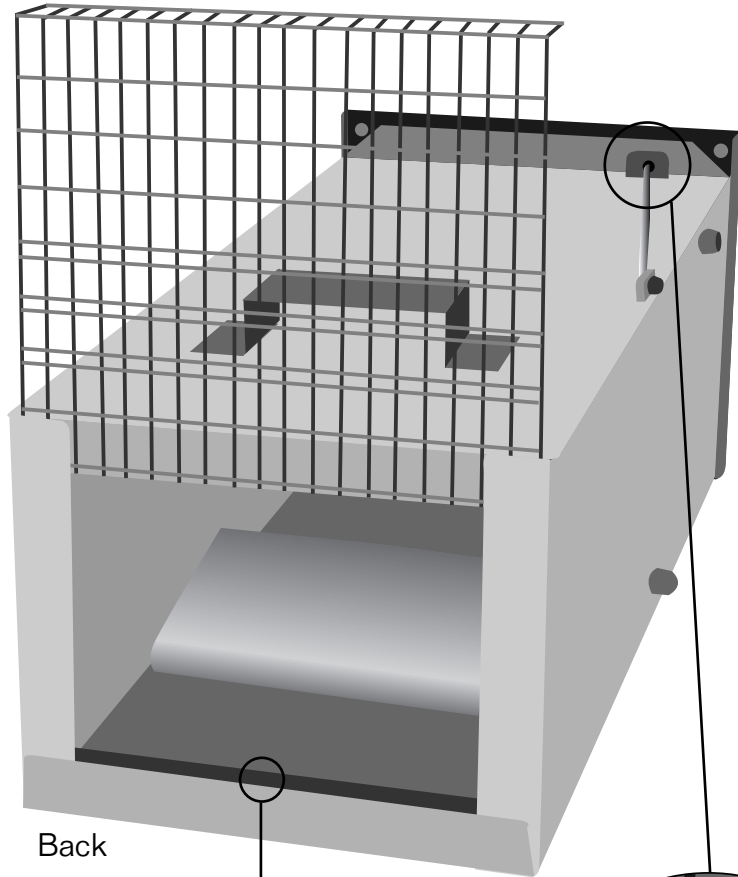
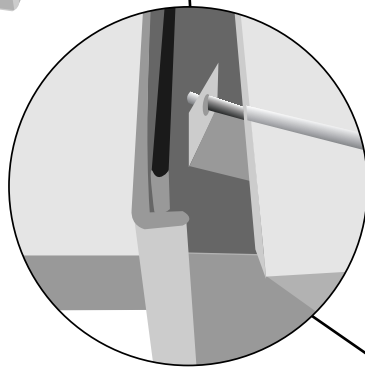


INSTRUCTIONS: KNO-SPRAY™ SKUNK TRAP

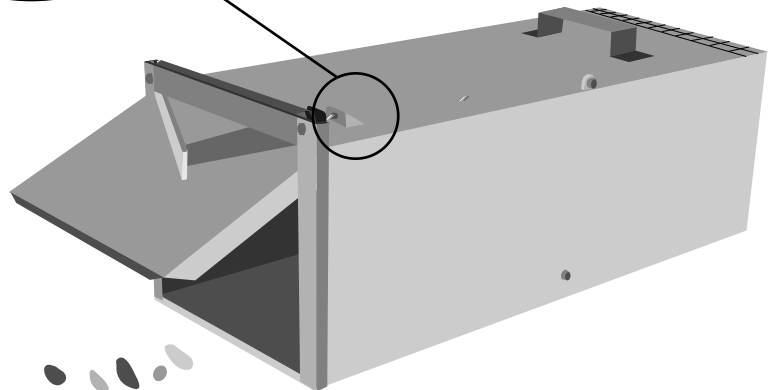
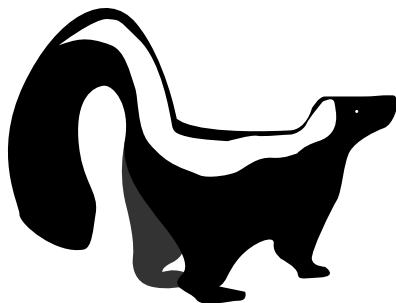


1. Place trap near walls outside, or inside building wherever Skunks are frequent.
2. Raise the Shur-Lock™ Positive Lock Bars on each side of trap while lifting open the sheetmetal door.
3. Slide the bar, on top, into the slot.
4. Lift up back, easy access door, add bait (sardines or canned cat food)
5. Close access door and latch shut.
6. Check trap daily.
7. To release skunk, remove wire (access door) in rear and step back. To coax a slow skunk out, use a quick shot of water from a hose or squirt gun, down the bar hole opening on top!

Bait here



Close up: Bar in slot



DWL Brand, Mfg.
P.O. Box 174
Galway, NY 12074-0174
Phone: 518.882.9145
Fax: 518.882.5212
www.DWLBrand.com

**Remember – Do Not Play with Animals
and Wear Gloves when Handling Trap!**